



## Hand pallet truck

**AMX I15 / I15 e / I15 p / I15 ep**

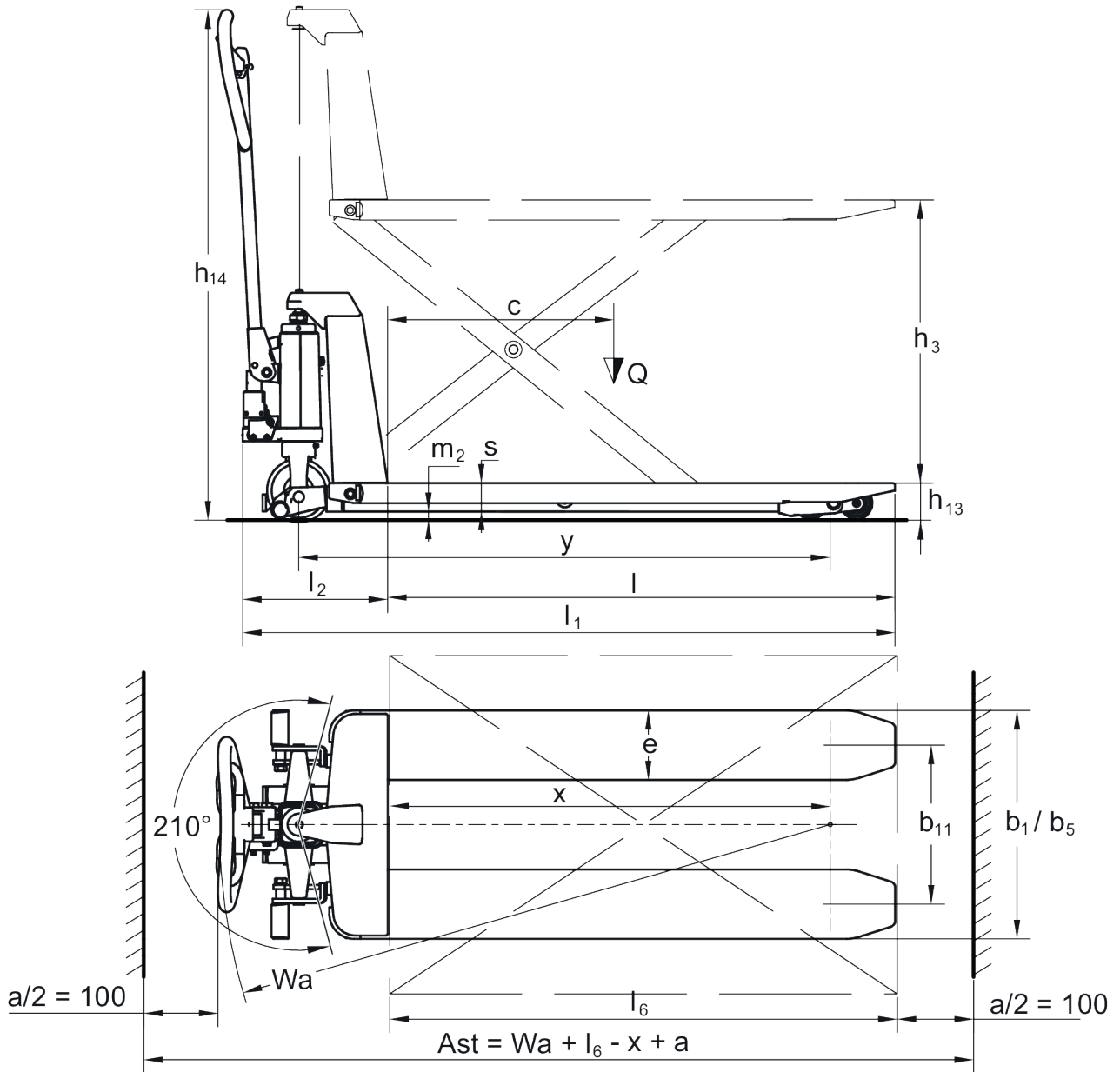
Lift height: 710 mm / Load capacity: 1500 kg

**JUNGHEINRICH**

# AMX I15 / I15 e / I15 p / I15 ep



# AMX I15 / I15 e / I15 p / I15 ep



# VDI table

Stand-on: 11/2021

Characteristic	1.1	Manufacturer (abbreviated description)	Jungheinrich								
			AMX I15e		AMX I15ep	AMX I15p		AMX I15			
Characteristic	1.2	Manufacturer's type designation									
	1.3	Drive	Electric	Manual	Electric	Manual					
	1.4	Operation	Manual								
	1.5	Load capacity/load	Q kg	1500							
	1.6	Load centre distance	c mm	600							-
	1.9	Wheelbase	y mm	1255	-	1255				-	
	Weights	2.1	Service weight	kg	132			125	-	125	
2.2		Axle load laden front/rear	kg	753 / 357	-	753 / 387	750 / 358	-	720 / 358	-	
2.3		Axle load unladen front/rear	kg	40 / 100	-	40 / 100	38 / 70	-	38 / 70	-	
Wheels/suspension system	3.1	Tyres		N-BN	V-BV	N-BN	V-BV	N-BN	V-BV	N-BN	V-BV
	3.2	Tyre size, front		Ø 150x45	-	Ø 150x45		-	Ø 150x45	-	
	3.3	Tyre size, rear		Ø 75x68	-	Ø 75x68		-	Ø 75x68	-	
	3.5	Wheels, number front/back (x=driven)		2/4	-	2/4		-	2/4	-	
	3.6	Tread width, front	b <sub>10</sub> mm	145	-	145		-	145	-	
	3.7	Tread width, rear	b <sub>11</sub> mm	440	-	440		-	440	-	
	Basic dimensions	4.4	Lift (h <sub>3</sub> )	h <sub>3</sub> mm	710						
4.15		Height, lowered	h <sub>13</sub> mm	85			-	85	-		
4.19		Overall length	l <sub>1</sub> mm	1645	-	1645	1580	-	1580	-	
4.20		Length including fork shank	l <sub>2</sub> mm	445	-	445	340	-	340	-	
4.21.1		Overall width	b <sub>1</sub> mm	540	-	540		-	540	-	
4.22		Fork dimensions	s/ e/l mm	50 x 163 x 1200							
4.25		Width across forks	b <sub>5</sub> mm	540							
4.32		Ground clearance centre of wheelbase	m <sub>2</sub> mm	19	-	19		-	19	-	
4.34		Aisle width (pallet 1000x1200 sideways)	A <sub>st</sub> mm	1690	-	1690	1630	-	1630	-	
4.34.1		Aisle width (pallet 800x1200 length)	A <sub>st</sub> mm	1890	-	1890	1830	-	1830	-	
4.35	Turning radius	W <sub>a</sub> mm	1540	-	1540	1480	-	1480	-		
Performance data	5.3	Lowering speed laden/unladen	m/s	0.07 / 0.05	-	0.07 / 0.05	0.15 / 0.09	-	0.15 / 0.09	-	
E-motor/ Electronics	6.4	Battery voltage/nominal capacity	V / Ah	12 / 65	-	12 / 65	-				
	6.5	Battery weight	kg	21	-	21	-				

- This data sheet according to VDI guideline 2198 only states the technical values of the standard truck. Different tyres, other masts, additional equipment etc. may result in different values.

The German production facilities in  
Norderstedt, Moosburg and Landsberg  
are certified.

ISO 9001  
ISO 14001

Jungheinrich fork lift trucks meet  
European safety requirements.



 **JUNGHEINRICH**

The Jungheinrich logo, featuring a red upward-pointing arrow above the word 'JUNGHEINRICH' in a bold, black, sans-serif font.