



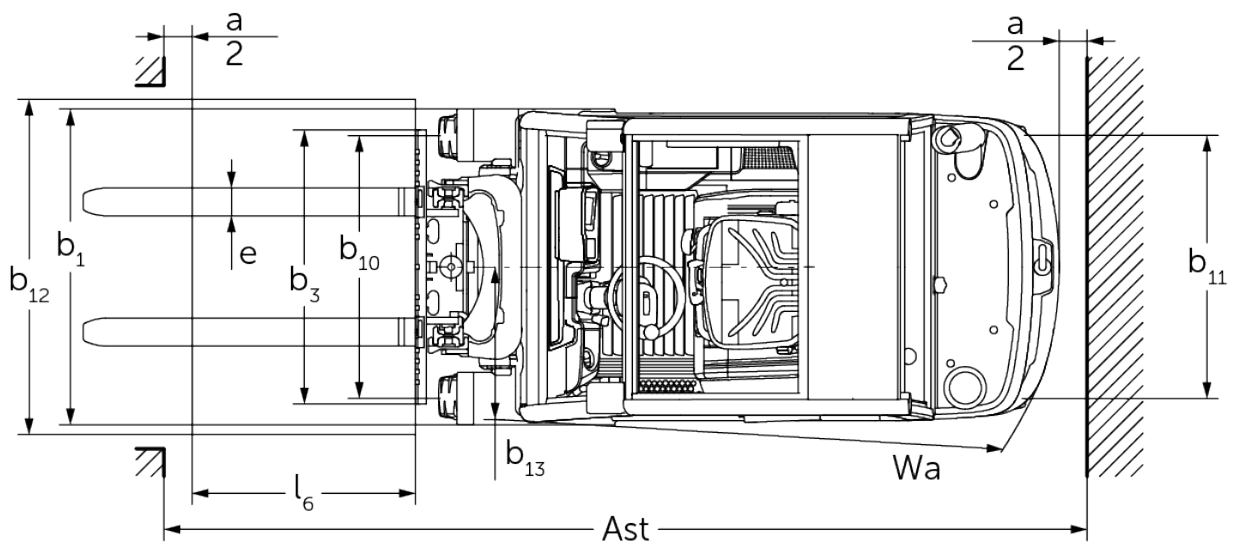
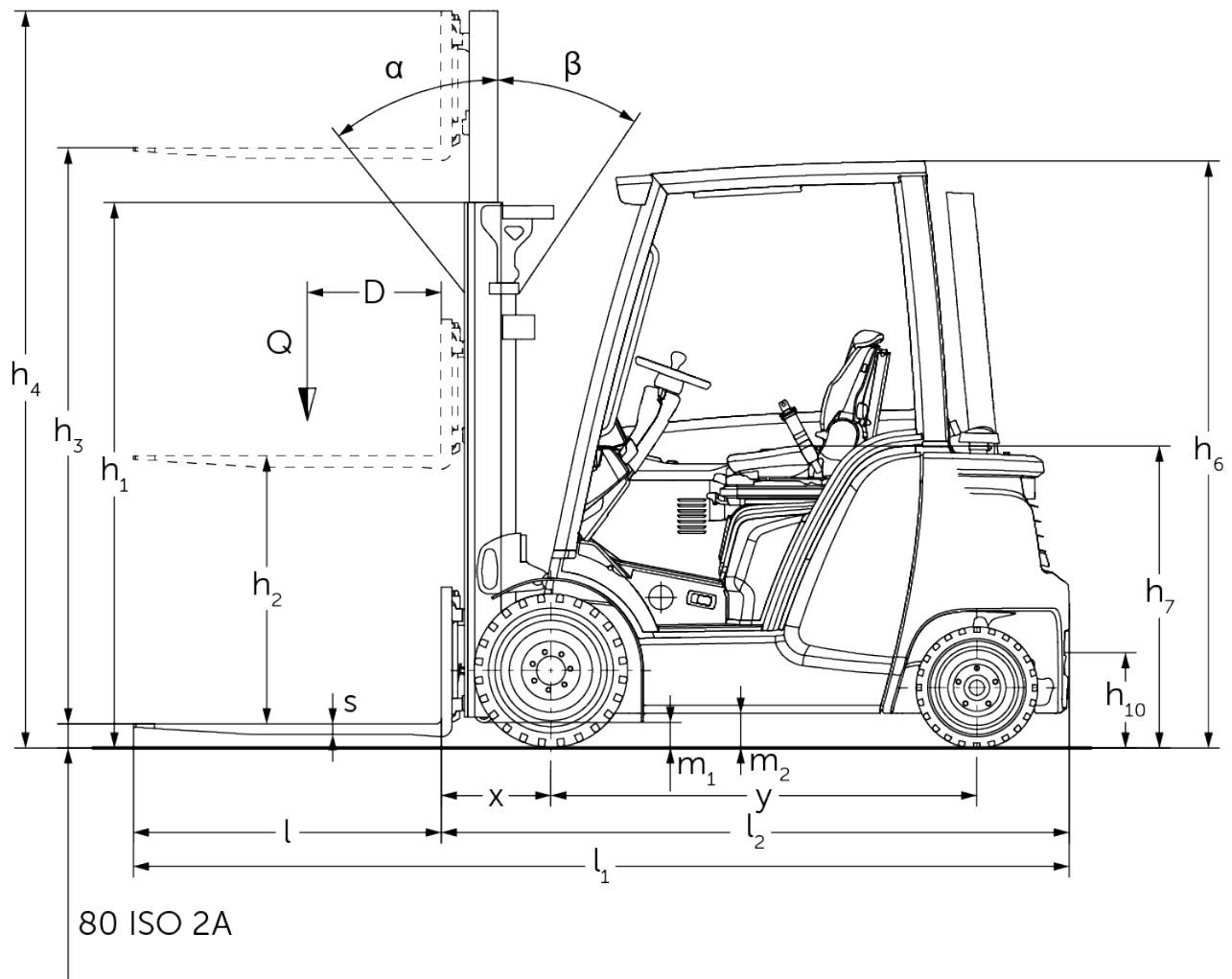
Diesel forklift truck

DFG 316s-320s

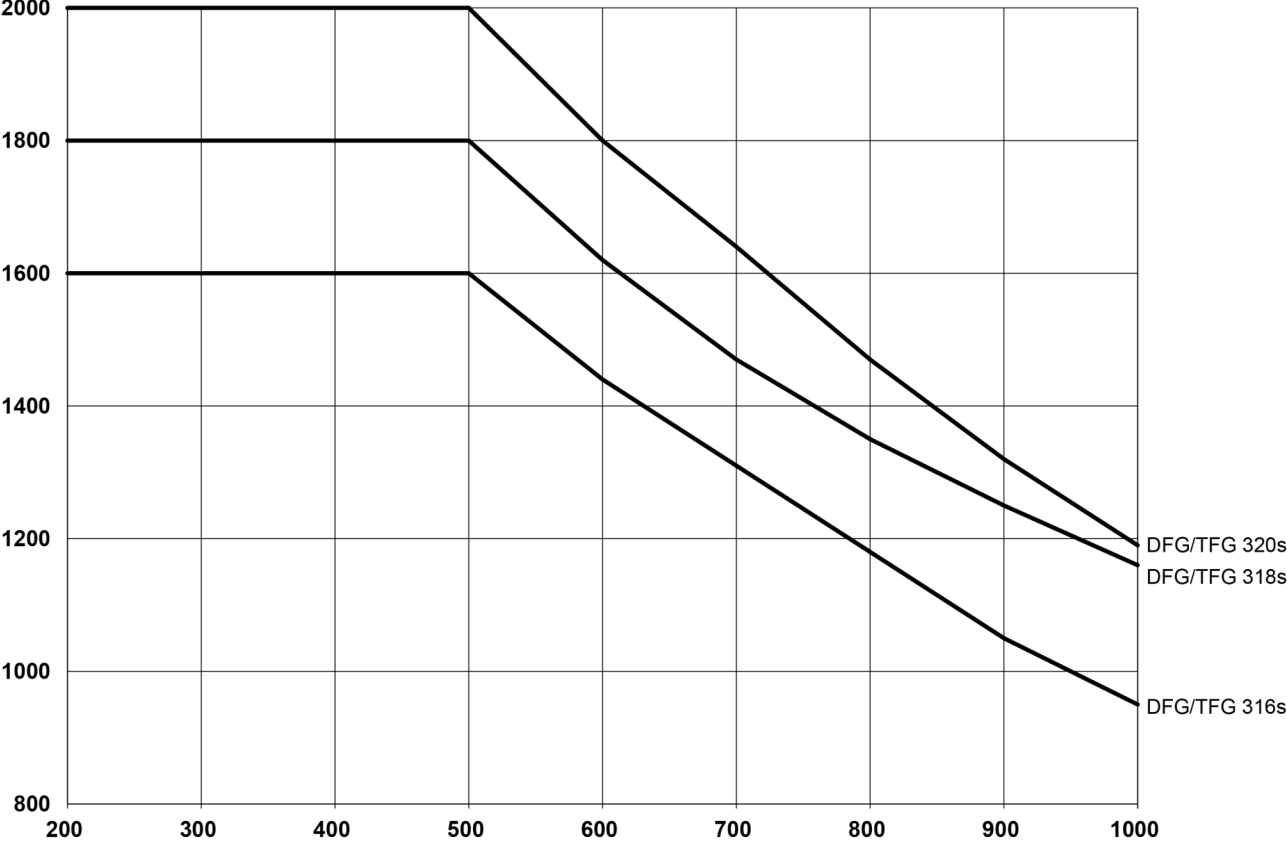
Lift height: 2900-7500 mm / Load capacity: 1600-2000 kg

 JUNGHEINRICH

DFG 316s-320s



DFG 316s-320s



DFG 316s-320s

DFG 316s	Lift (h3)	Retracted mast height (h1)	Free lift (h2)	Extended mast height (h4)	Forward/backward tilt of mast
Duplex mast ZT	2900 mm	2005 mm	150 mm	3485 mm	7 / 7 °
	3100 mm	2105 mm	150 mm	3685 mm	7 / 7 °
	3300 mm	2205 mm	150 mm	3885 mm	7 / 7 °
	3500 mm	2305 mm	150 mm	4085 mm	7 / 6 °
	3700 mm	2405 mm	150 mm	4285 mm	7 / 6 °
	4000 mm	2555 mm	150 mm	4585 mm	7 / 6 °
	4300 mm	2705 mm	150 mm	4885 mm	7 / 6 °
	4500 mm	2805 mm	150 mm	5085 mm	7 / 6 °
Duplex mast ZZ	3100 mm	2060 mm	1475 mm	3685 mm	7 / 7 °
	3300 mm	2160 mm	1575 mm	3885 mm	7 / 7 °
	3500 mm	2260 mm	1675 mm	4085 mm	7 / 6 °
	3700 mm	2360 mm	1775 mm	4285 mm	7 / 6 °
	4000 mm	2510 mm	1925 mm	4585 mm	7 / 6 °
Triplex mast DZ	4400 mm	2020 mm	1435 mm	4985 mm	7 / 5 °
	4640 mm	2100 mm	1515 mm	5225 mm	7 / 5 °
	4700 mm	2120 mm	1535 mm	5285 mm	7 / 5 °
	4800 mm	2160 mm	1575 mm	5385 mm	7 / 5 °
	5000 mm	2230 mm	1645 mm	5585 mm	7 / 5 °
	5500 mm	2410 mm	1825 mm	6085 mm	7 / 5 °
	6000 mm	2580 mm	1995 mm	6585 mm	7 / 5 °
	6500 mm	2760 mm	2175 mm	7085 mm	7 / 5 °
	7000 mm	2930 mm	2345 mm	7585 mm	7 / 5 °
	7500 mm	3100 mm	2515 mm	8085 mm	7 / 5 °
DFG 318s, DFG 320s	Lift (h3)	Retracted mast height (h1)	Free lift (h2)	Extended mast height (h4)	Forward/backward tilt of mast
Duplex mast ZT	2900 mm	2012 mm	150 mm	3507 mm	7 / 7 °
	3100 mm	2112 mm	150 mm	3707 mm	7 / 7 °
	3300 mm	2212 mm	150 mm	3907 mm	7 / 7 °
	3500 mm	2312 mm	150 mm	4107 mm	7 / 6 °
	3700 mm	2412 mm	150 mm	4307 mm	7 / 6 °
	4000 mm	2562 mm	150 mm	4607 mm	7 / 6 °
	4300 mm	2712 mm	150 mm	4907 mm	7 / 6 °
	4500 mm	2812 mm	150 mm	5107 mm	7 / 6 °
	5000 mm	3112 mm	150 mm	5607 mm	7 / 5 °
Duplex mast ZZ	3100 mm	2067 mm	1430 mm	3737 mm	7 / 7 °
	3300 mm	2167 mm	1530 mm	3937 mm	7 / 7 °
	3500 mm	2267 mm	1630 mm	4137 mm	7 / 6 °
	3700 mm	2367 mm	1730 mm	4337 mm	7 / 6 °
	4000 mm	2517 mm	1880 mm	4637 mm	7 / 6 °
Triplex mast DZ	4400 mm	2027 mm	1390 mm	5037 mm	7 / 5 °
	4640 mm	2107 mm	1470 mm	5277 mm	7 / 5 °
	4700 mm	2127 mm	1490 mm	5337 mm	7 / 5 °
	4800 mm	2167 mm	1530 mm	5437 mm	7 / 5 °
	5000 mm	2237 mm	1600 mm	5637 mm	7 / 5 °
	5500 mm	2417 mm	1780 mm	6137 mm	7 / 5 °
	6000 mm	2587 mm	1950 mm	6637 mm	7 / 5 °
	6500 mm	2767 mm	2130 mm	7137 mm	7 / 5 °

7000 mm

2937 mm

2300 mm

7637 mm

7 / 5 °

7500 mm

3107 mm

2470 mm

8137 mm

7 / 5 °

VDI table

Stand-on: 11/2021

Characteristic	1.1	Manufacturer (abbreviated description)	Jungheinrich			
	1.2	Manufacturer's type designation	DFG 316s	DFG 318s	DFG 320s	
	1.3	Drive	Diesel			
	1.4	Operation	Seat			
	1.5	Load capacity/load	Q kg	1600	1800	2000
	1.6	Load centre distance	c mm	500		
	1.8	Load distance, centre of drive axle to fork	x mm	414	421	
	1.9	Wheelbase	y mm	1590		
Weights	2.1	Service weight	kg	2872	3075	3210
	2.2	Axle load laden front/rear	kg	3870 / 605	4260 / 620	4580 / 635
	2.3	Axle load unladen front/rear	kg	1330 / 1542	1350 / 1725	1380 / 1830
Wheels/suspension system	3.1	Tyres	Super-elastic (SE)			
	3.2	Tyre size, front	6.50-10			
	3.3	Tyre size, rear	18x7-8			
	3.5	Wheels, number front/back (x=driven)	2x/2			
	3.6	Tread width, front	b ₁₀ mm	930		
	3.7	Tread width, rear	b ₁₁ mm	870		
	Basic dimensions	4.2	Retracted mast height (h1)	h ₁ mm	2205	2212
4.3		Free lift (h2)	h ₂ mm	150		
4.4		Lift (h3)	h ₃ mm	3300		
4.5		Extended mast height (h4)	h ₄ mm	3885	3907	
4.7		Height of overhead guard (cab)	h ₆ mm	2185		
4.8		Seat height/stand height	h ₇ mm	1130		
4.12		Coupling height	h ₁₀ mm	380		
4.19		Overall length	l ₁ mm	3499	3506	3549
4.20		Length including fork shank	l ₂ mm	2349	2356	2399
4.21.1		Overall width	b ₁ mm	1130		
4.22		Fork dimensions	s/e/l mm	40 x 80 x 1150		40 x 100 x 1150
4.23		Fork carriage connection class	2A			
4.24		Fork carriage width	b ₃ mm	980		
4.31		Ground clearance laden under mast	m ₁ mm	90	95	
4.32		Ground clearance centre of wheelbase	m ₂ mm	120		
4.34		Aisle width (pallet 1000x1200 sideways)	A _{st} mm	3709	3716	3744
4.34.1		Aisle width (pallet 800x1200 length)	A _{st} mm	3909	3916	3944
4.35		Turning radius	W _a mm	2095		2123
4.36	Smallest pivot point distance	b ₁₃ mm	545			
Performance data	5.1	Travel speed laden/unladen	km/h	22 / 22		
	5.2	Lift speed laden/unladen	m/s	0.6 / 0.62		
	5.3	Lowering speed laden/unladen	m/s	0.54 / 0.57		
	5.5	Drawbar pull laden/unladen	N	14800 / 14800		
	5.7	Gradeability laden/unladen	%	31 / 31	30 / 30	
	5.9	Acceleration time laden/unladen	s	4.8 / 4.4	4.9 / 4.5	5.1 / 4.6
	5.10	Service brake	hydrostatic			

C motor	7.1	Motor manufacturer/type		Kubota D1803-CR-T		
	7.3	Rated speed	1/min	2400		
	7.4	Cylinder number/cubic capacity	st / cm ³	3 / 1826		
	7.5.1	Fuel consumption as per EN 16796 (diesel)	l/h	2	2.1	2.2
	7.5.2	CO2 equivalent as per EN 16796 (diesel)	kg/h	6.35	6.67	6.99
Other	10.1	Operating pressure for attachment	bar	250		
	10.2	Oil flow for attachments	l/min	40		
	10.7	Sound level as per EN12053, operator's ear	dB (A)	78		
	10.8	Trailer coupling, model/type DIN		DIN 15170 H		
<p>- This data sheet according to VDI guideline 2198 only states the technical values of the standard truck. Different tyres, other masts, additional equipment etc. may result in different values.</p>						

10.7: 74 dB(A) with full cabin

The German production facilities in
Norderstedt, Moosburg and Landsberg
are certified.

ISO 9001
ISO 14001

Jungheinrich fork lift trucks meet
European safety requirements.



 **JUNGHEINRICH**

The Jungheinrich logo, featuring a red upward-pointing arrow above the word 'JUNGHEINRICH' in a bold, black, sans-serif font.