



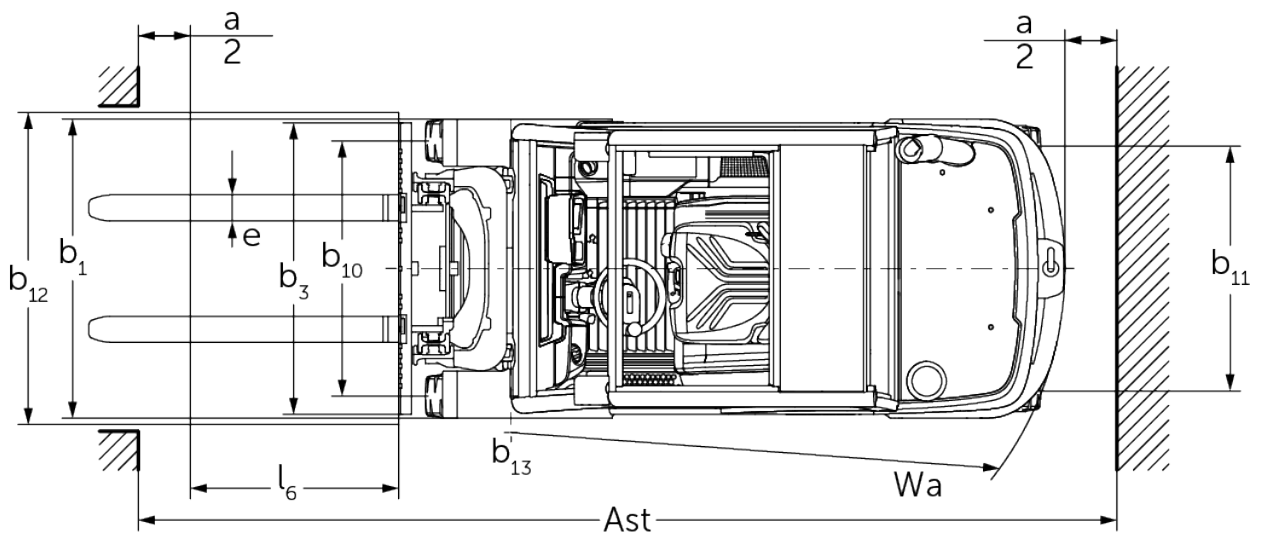
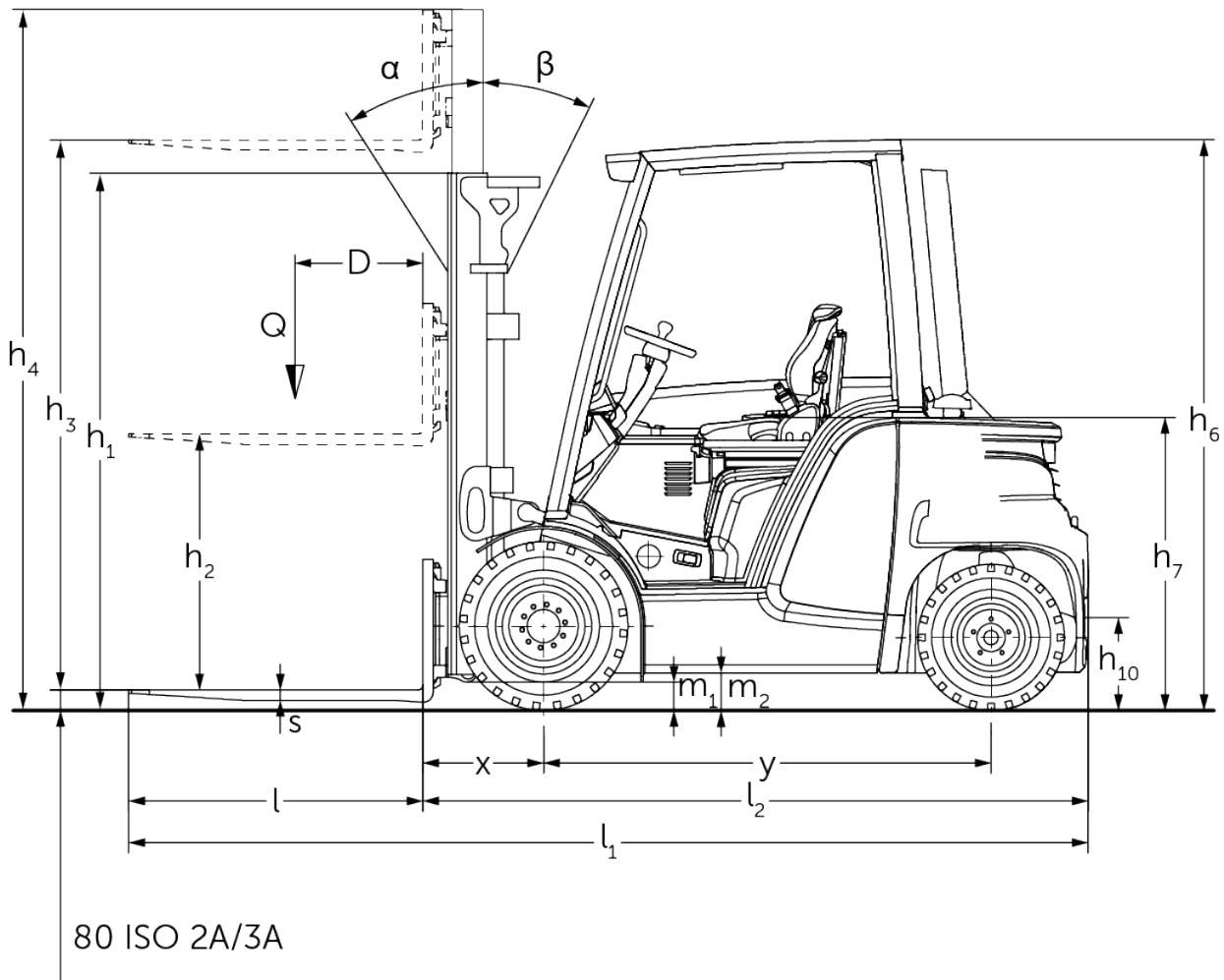
## **Diesel forklift truck**

### **DFG 425s-435s**

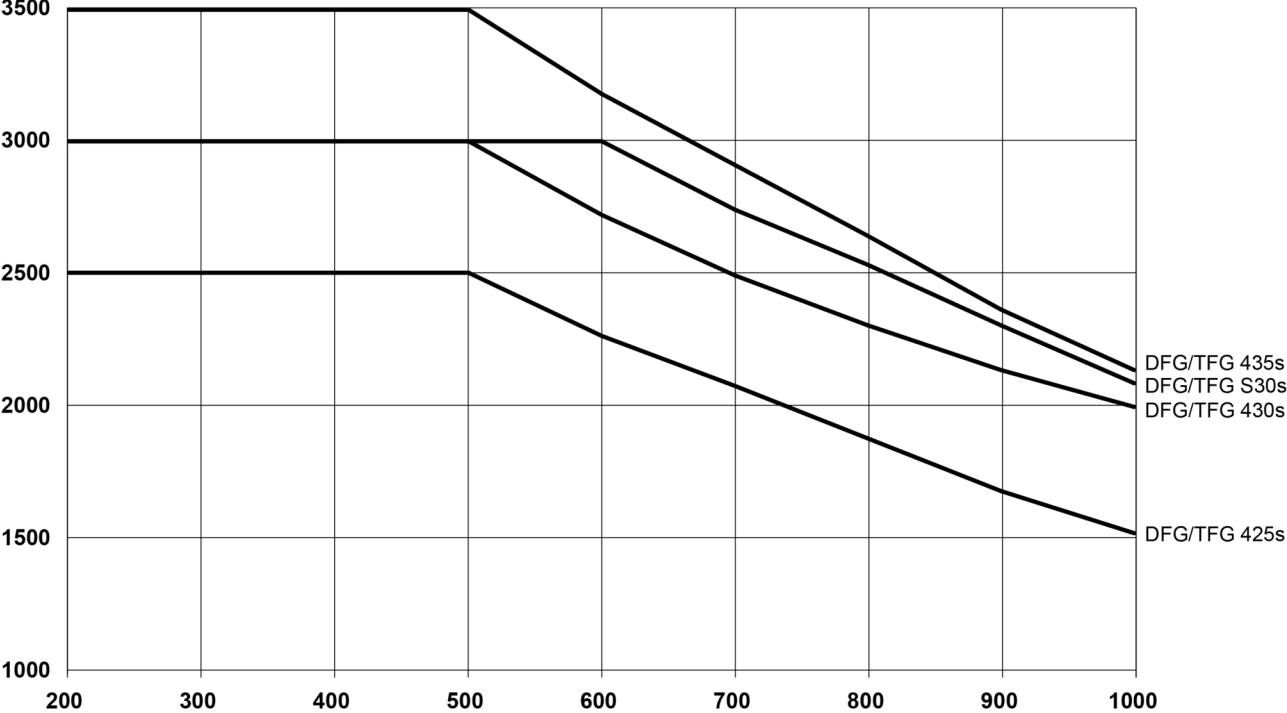
**Lift height: 2900-7500 mm / Load capacity: 2500-3500 kg**

** JUNGHEINRICH**

# DFG 425s-435s



# DFG 425s-435s



# DFG 425s-435s

DFG 425s	Lift (h3)	Retracted mast height (h1)	Free lift (h2)	Extended mast height (h4)	Forward/backward tilt of mast
Duplex mast ZT	2900 mm	2121 mm	150 mm	3651 mm	6 / 8 °
	3100 mm	2221 mm	150 mm	3851 mm	6 / 8 °
	3300 mm	2321 mm	150 mm	4051 mm	6 / 8 °
	3500 mm	2421 mm	150 mm	4251 mm	6 / 8 °
	3700 mm	2521 mm	150 mm	4451 mm	6 / 8 °
	4000 mm	2671 mm	150 mm	4751 mm	6 / 8 °
	4300 mm	2871 mm	150 mm	5051 mm	6 / 8 °
	4500 mm	2971 mm	150 mm	5251 mm	6 / 8 °
	4700 mm	3071 mm	150 mm	5451 mm	6 / 6 °
	5000 mm	3221 mm	150 mm	5751 mm	6 / 6 °
Duplex mast ZZ	3100 mm	2186 mm	1600 mm	3686 mm	6 / 8 °
	3300 mm	2286 mm	1700 mm	3886 mm	6 / 8 °
	3500 mm	2386 mm	1800 mm	4086 mm	6 / 8 °
	3700 mm	2486 mm	1900 mm	4286 mm	6 / 8 °
	4000 mm	2636 mm	2050 mm	4586 mm	6 / 8 °
Triplex mast DZ	4400 mm	2086 mm	1500 mm	4986 mm	6 / 8 °
	4700 mm	2186 mm	1600 mm	5286 mm	6 / 8 °
	5000 mm	2286 mm	1700 mm	5586 mm	6 / 6 °
	5500 mm	2486 mm	1900 mm	6086 mm	6 / 6 °
	6000 mm	2686 mm	2100 mm	6586 mm	6 / 6 °
	6500 mm	2886 mm	2300 mm	7086 mm	6 / 6 °
	7000 mm	3086 mm	2500 mm	7586 mm	6 / 6 °
	7500 mm	3286 mm	2700 mm	8086 mm	6 / 6 °
DFG 430s, DFG S30s	Lift (h3)	Retracted mast height (h1)	Free lift (h2)	Extended mast height (h4)	Forward/backward tilt of mast
Duplex mast ZT	2900 mm	2125 mm	150 mm	3660 mm	6 / 8 °
	3100 mm	2225 mm	150 mm	3860 mm	6 / 8 °
	3300 mm	2325 mm	150 mm	4060 mm	6 / 8 °
	3500 mm	2425 mm	150 mm	4260 mm	6 / 8 °
	3700 mm	2525 mm	150 mm	4460 mm	6 / 8 °
	4000 mm	2675 mm	150 mm	4760 mm	6 / 8 °
	4300 mm	2875 mm	150 mm	5060 mm	6 / 8 °
	4500 mm	2975 mm	150 mm	5260 mm	6 / 8 °
	4700 mm	3075 mm	150 mm	5460 mm	6 / 6 °
	5000 mm	3225 mm	150 mm	5760 mm	6 / 6 °
	5500 mm	3525 mm	150 mm	6260 mm	6 / 6 °
	5800 mm	3675 mm	150 mm	6560 mm	6 / 6 °
	6000 mm	3775 mm	150 mm	6760 mm	6 / 6 °
Duplex mast ZZ	3100 mm	2190 mm	1450 mm	3840 mm	6 / 8 °
	3300 mm	2290 mm	1550 mm	4040 mm	6 / 8 °
	3500 mm	2390 mm	1650 mm	4240 mm	6 / 8 °
	3700 mm	2490 mm	1750 mm	4440 mm	6 / 8 °
	4000 mm	2640 mm	1900 mm	4740 mm	6 / 8 °
Triplex mast DZ	4400 mm	2090 mm	1350 mm	5140 mm	6 / 8 °
	4700 mm	2190 mm	1450 mm	5440 mm	6 / 8 °
	5000 mm	2290 mm	1550 mm	5740 mm	6 / 6 °
	5500 mm	2490 mm	1750 mm	6240 mm	6 / 6 °

	6000 mm	2690 mm	1950 mm	6740 mm	6 / 6 °
	6500 mm	2890 mm	2150 mm	7240 mm	6 / 6 °
	7000 mm	3090 mm	2350 mm	7740 mm	6 / 6 °
	7500 mm	3290 mm	2550 mm	8240 mm	6 / 6 °
<b>DFG 435s</b>	<b>Lift (h3)</b>	<b>Retracted mast height (h1)</b>	<b>Free lift (h2)</b>	<b>Extended mast height (h4)</b>	<b>Forward/backward tilt of mast</b>
<b>Duplex mast ZT</b>	<b>2900 mm</b>	<b>2205 mm</b>	<b>150 mm</b>	<b>3689 mm</b>	<b>6 / 6 °</b>
	3100 mm	2305 mm	150 mm	3889 mm	6 / 8 °
	3300 mm	2405 mm	150 mm	4089 mm	6 / 8 °
	3500 mm	2505 mm	150 mm	4289 mm	6 / 8 °
	3700 mm	2605 mm	150 mm	4489 mm	6 / 8 °
	4000 mm	2755 mm	150 mm	4789 mm	6 / 8 °
	4300 mm	2955 mm	150 mm	5089 mm	6 / 8 °
	4500 mm	3055 mm	150 mm	5289 mm	6 / 8 °
	4700 mm	3155 mm	150 mm	5489 mm	6 / 6 °
	5000 mm	3305 mm	150 mm	5789 mm	6 / 6 °
	5500 mm	3605 mm	150 mm	6289 mm	6 / 6 °
	5800 mm	3755 mm	150 mm	6589 mm	6 / 6 °
	6000 mm	3855 mm	150 mm	6789 mm	6 / 6 °
<b>Duplex mast ZZ</b>	<b>2900 mm</b>	<b>2170 mm</b>	<b>1400 mm</b>	<b>3670 mm</b>	<b>6 / 8 °</b>
	3100 mm	2270 mm	1501 mm	3869 mm	6 / 8 °
	3300 mm	2370 mm	1601 mm	4069 mm	6 / 8 °
	3500 mm	2470 mm	1701 mm	4269 mm	6 / 8 °
	3700 mm	2570 mm	1801 mm	4469 mm	6 / 8 °
	4000 mm	2720 mm	1951 mm	4769 mm	6 / 8 °
<b>Triplex mast DZ</b>	<b>4250 mm</b>	<b>2120 mm</b>	<b>1350 mm</b>	<b>5020 mm</b>	<b>6 / 6 °</b>
	4400 mm	2170 mm	1401 mm	5169 mm	6 / 8 °
	4700 mm	2270 mm	1501 mm	5469 mm	6 / 8 °
	5000 mm	2370 mm	1601 mm	5769 mm	6 / 6 °
	5500 mm	2570 mm	1801 mm	6269 mm	6 / 6 °
	6000 mm	2770 mm	2001 mm	6769 mm	6 / 6 °
	6500 mm	2970 mm	2201 mm	7269 mm	6 / 6 °
	7000 mm	3170 mm	2401 mm	7769 mm	6 / 6 °
	7500 mm	3370 mm	2601 mm	8269 mm	6 / 6 °

# VDI table

Stand-on: 11/2021

Characteristic	1.1	Manufacturer (abbreviated description)	Jungheinrich				
	1.2	Manufacturer's type designation	DFG 425s	DFG 430s	DFG S30s	DFG 435s	
	1.3	Drive	Diesel				
	1.4	Operation	Seat				
	1.5	Load capacity/load	Q kg	2500	3000	3500	
	1.6	Load centre distance	c mm	500		600	500
	1.8	Load distance, centre of drive axle to fork	x mm	473	493		
	1.9	Wheelbase	y mm	1750	1820		1880
Weights	2.1	Service weight	kg	3965	4580	4780	4995
	2.2	Axle load laden front/rear	kg	5625 / 830	6715 / 860	6890 / 890	7515 / 985
	2.3	Axle load unladen front/rear	kg	1720 / 2245	1990 / 2590	2070 / 2710	2085 / 2910
Wheels/suspension system	3.1	Tyres	Super-elastic (SE)				
	3.2	Tyre size, front	7.00-12	27x10-12			
	3.3	Tyre size, rear	6.50-10				
	3.5	Wheels, number front/back (x=driven)	2x/2				
	3.6	Tread width, front	b <sub>10</sub> mm	1000	1060		
	3.7	Tread width, rear	b <sub>11</sub> mm	940			
	Basic dimensions	4.2	Retracted mast height (h1)	h <sub>1</sub> mm	2321	2325	2405
4.3		Free lift (h2)	h <sub>2</sub> mm	150			
4.4		Lift (h3)	h <sub>3</sub> mm	3300			
4.5		Extended mast height (h4)	h <sub>4</sub> mm	4051	4060	4089	
4.7		Height of overhead guard (cab)	h <sub>6</sub> mm	2215	2235		
4.8		Seat height/stand height	h <sub>7</sub> mm	1165	1180		
4.12		Coupling height	h <sub>10</sub> mm	377	394		
4.19		Overall length	l <sub>1</sub> mm	3753	3853	3933	
4.20		Length including fork shank	l <sub>2</sub> mm	2603	2703	2783	
4.21.1		Overall width	b <sub>1</sub> mm	1180	1320		
4.22		Fork dimensions	s/e/l mm	40 x 100 x 1150	45 x 125 x 1150		
4.23		Fork carriage connection class		2A	3A		
4.24		Fork carriage width	b <sub>3</sub> mm	1120			
4.31		Ground clearance laden under mast	m <sub>1</sub> mm	112	118	147	
4.32		Ground clearance centre of wheelbase	m <sub>2</sub> mm	130	148		
4.34		Aisle width (pallet 1000x1200 sideways)	Ast mm	3983	4082	4153	
4.34.1		Aisle width (pallet 800x1200 length)	Ast mm	4183	4282	4353	
4.35	Turning radius	W <sub>a</sub> mm	2310	2389	2460		
4.36	Smallest pivot point distance	b <sub>13</sub> mm	630				
Performance data	5.1	Travel speed laden/unladen	km/h	21.5 / 21.5	22 / 22		
	5.2	Lift speed laden/unladen	m/s	0.56 / 0.56			
	5.3	Lowering speed laden/unladen	m/s	0.56 / 0.56			
	5.5	Drawbar pull laden/unladen	N	21800 / 21800	20800 / 20800		
	5.7	Gradeability laden/unladen	%	31 / 31	30 / 30	29 / 29	27 / 27
	5.9	Acceleration time laden/unladen	s	4.9 / 4.4	5.4 / 4.6	5.5 / 4.7	5.7 / 4.7
5.10	Service brake		hydrostatic				

C motor	7.1	Motor manufacturer/type		Kubota V2403-CR-T			
	7.3	Rated speed	1/min	2400			
	7.4	Cylinder number/cubic capacity	st / cm <sup>3</sup>	4 / 2434			
	7.5.1	Fuel consumption as per EN 16796 (diesel)	l/h	2.7	2.9	3	3.1
	7.5.2	CO2 equivalent as per EN 16796 (diesel)	kg/h	8.58	9.21	9.53	9.85
Other	10.1	Operating pressure for attachment	bar	250			
	10.2	Oil flow for attachments	l/min	40			
	10.7	Sound level as per EN12053, operator's ear	dB (A)	79			
	10.8	Trailer coupling, model/type DIN		DIN 15170 H			
<p>- This data sheet according to VDI guideline 2198 only states the technical values of the standard truck. Different tyres, other masts, additional equipment etc. may result in different values.</p>							

10.7: 74 dB(A) with full cabin

The German production facilities in  
Norderstedt, Moosburg and Landsberg  
are certified.

ISO 9001  
ISO 14001

Jungheinrich fork lift trucks meet  
European safety requirements.



 **JUNGHEINRICH**

The Jungheinrich logo, featuring a red upward-pointing arrow above the word 'JUNGHEINRICH' in a bold, black, sans-serif font.