

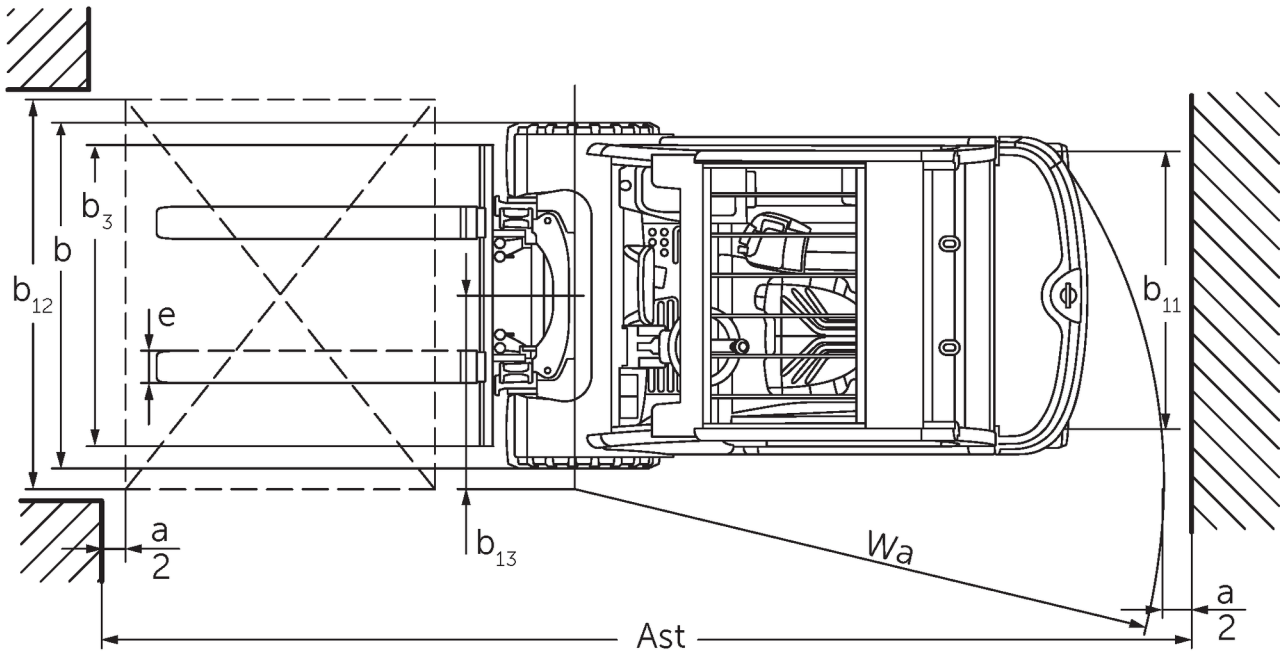
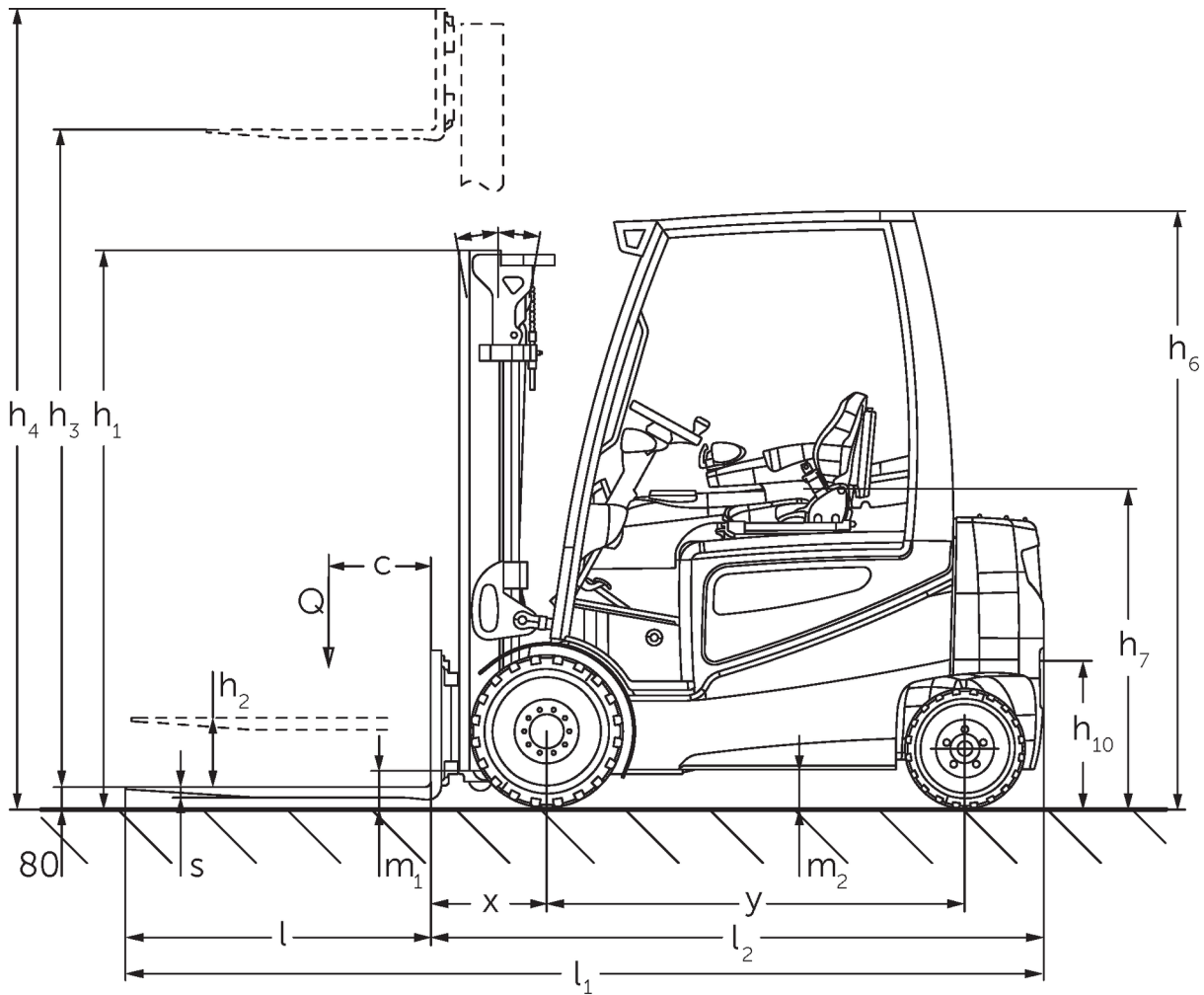


Electric four wheel counterbalance forklift truck

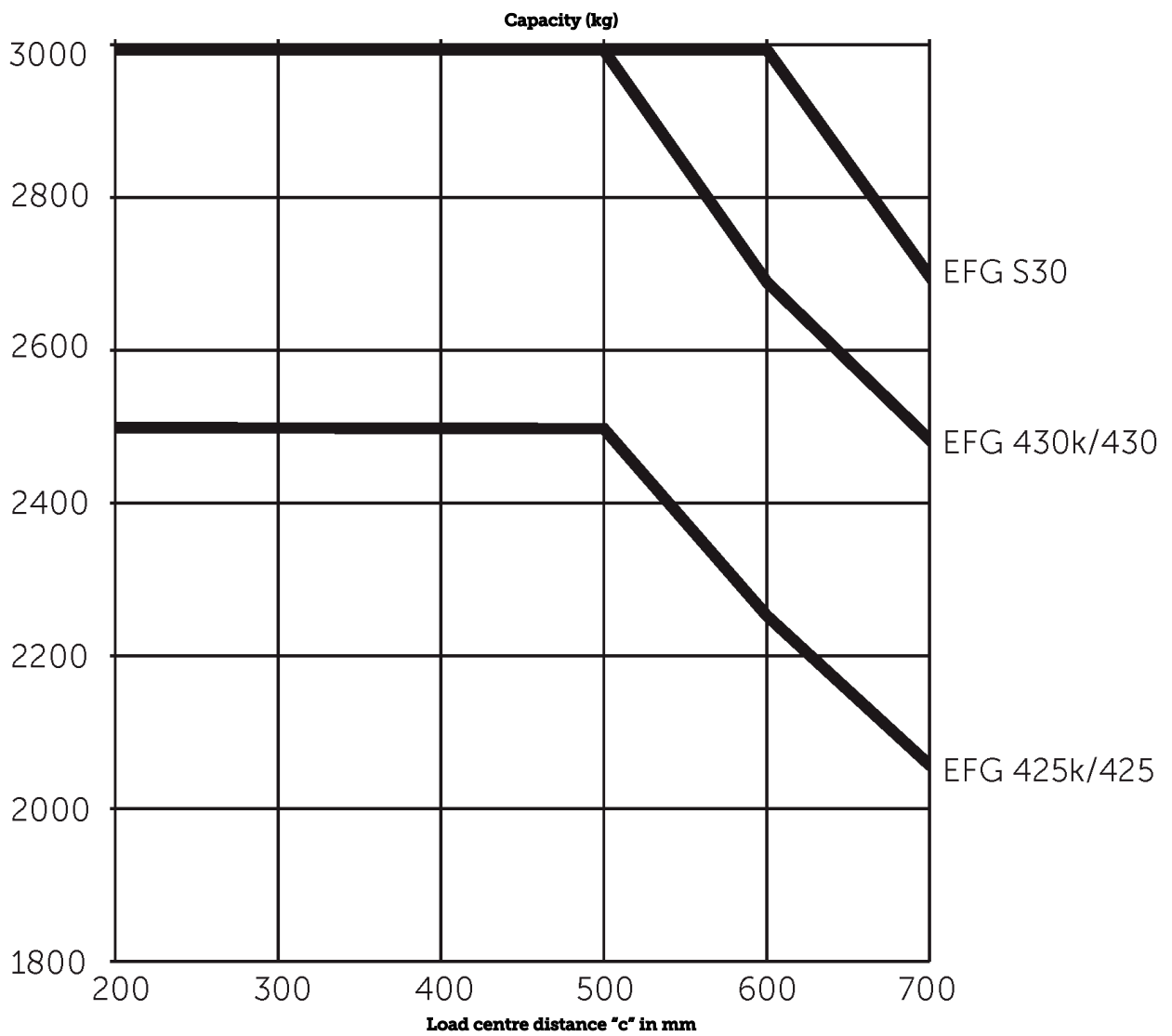
EFG 425-S30

Lift height: 2900-7500 mm / Load capacity: 2500-3000 kg

EFG 425-S30



EFG 425-S30



EFG 425-S30

EFG 425k, EFG 425	Lift (h3)	Retracted mast height (h1)	Free lift (h2)	Extended mast height (h4)	Forward/backward tilt of mast
Duplex mast ZT	2900 mm	2125 mm	150 mm	3655 mm	6 / 8 °
	3100 mm	2225 mm	150 mm	3855 mm	6 / 8 °
	3300 mm	2325 mm	150 mm	4055 mm	6 / 8 °
	3500 mm	2425 mm	150 mm	4255 mm	6 / 8 °
	3700 mm	2525 mm	150 mm	4455 mm	6 / 8 °
	4000 mm	2675 mm	150 mm	4755 mm	6 / 8 °
	4300 mm	2875 mm	150 mm	5055 mm	6 / 8 °
	4500 mm	2975 mm	150 mm	5255 mm	6 / 8 °
Duplex mast ZZ	3100 mm	2190 mm	1600 mm	3690 mm	6 / 8 °
	3300 mm	2290 mm	1700 mm	3890 mm	6 / 8 °
	3500 mm	2390 mm	1800 mm	4090 mm	6 / 8 °
	3700 mm	2490 mm	1900 mm	4290 mm	6 / 8 °
Triplex mast DZ	4400 mm	2090 mm	1500 mm	4990 mm	6 / 8 °
	4700 mm	2190 mm	1600 mm	5290 mm	6 / 5.5 °
	5000 mm	2290 mm	1700 mm	5590 mm	6 / 5.5 °
	5500 mm	2490 mm	1900 mm	6090 mm	6 / 5.5 °
	6000 mm	2690 mm	2100 mm	6590 mm	6 / 5.5 °
	6500 mm	2890 mm	2300 mm	7090 mm	6 / 3 °
	7000 mm	3090 mm	2500 mm	7590 mm	6 / 3 °
	7500 mm	3290 mm	2700 mm	8090 mm	6 / 3 °
EFG 430k, EFG 430	Lift (h3)	Retracted mast height (h1)	Free lift (h2)	Extended mast height (h4)	Forward/backward tilt of mast
Duplex mast ZT	2900 mm	2122 mm	150 mm	3657 mm	6 / 8 °
	3100 mm	2222 mm	150 mm	3857 mm	6 / 8 °
	3300 mm	2322 mm	150 mm	4057 mm	6 / 8 °
	3500 mm	2422 mm	150 mm	4257 mm	6 / 8 °
	3700 mm	2522 mm	150 mm	4457 mm	6 / 8 °
	4000 mm	2672 mm	150 mm	4757 mm	6 / 8 °
	4300 mm	2872 mm	150 mm	5057 mm	6 / 8 °
	4500 mm	2972 mm	150 mm	5257 mm	6 / 8 °
Duplex mast ZZ	3100 mm	2187 mm	1450 mm	3837 mm	6 / 8 °
	3300 mm	2287 mm	1550 mm	4037 mm	6 / 8 °
	3500 mm	2387 mm	1650 mm	4237 mm	6 / 8 °
	3700 mm	2487 mm	1750 mm	4437 mm	6 / 8 °
	4000 mm	2637 mm	1900 mm	4737 mm	6 / 8 °
Triplex mast DZ	4400 mm	2087 mm	1350 mm	5137 mm	6 / 8 °
	4700 mm	2187 mm	1450 mm	5437 mm	6 / 5.5 °
	5000 mm	2287 mm	1550 mm	5737 mm	6 / 5.5 °
	5500 mm	2487 mm	1750 mm	6237 mm	6 / 5.5 °
	6000 mm	2687 mm	1950 mm	6737 mm	6 / 5.5 °
	6500 mm	2887 mm	2150 mm	7237 mm	6 / 3 °
	7000 mm	3087 mm	2350 mm	7737 mm	6 / 3 °
	7500 mm	3287 mm	2550 mm	8237 mm	6 / 3 °
EFG S30	Lift (h3)	Retracted mast height (h1)	Free lift (h2)	Extended mast height (h4)	Forward/backward tilt of mast
Duplex mast ZT	2900 mm	2122 mm	150 mm	3657 mm	6 / 8 °
	3100 mm	2222 mm	150 mm	3857 mm	6 / 8 °

	3300 mm	2322 mm	150 mm	4057 mm	6 / 8 °
	3500 mm	2422 mm	150 mm	4257 mm	6 / 8 °
	3700 mm	2522 mm	150 mm	4457 mm	6 / 8 °
	4000 mm	2672 mm	150 mm	4757 mm	6 / 8 °
	4300 mm	2872 mm	150 mm	5057 mm	6 / 8 °
	4500 mm	2972 mm	150 mm	5257 mm	6 / 8 °
Duplex mast ZZ	3100 mm	2187 mm	1450 mm	3837 mm	6 / 8 °
	3300 mm	2287 mm	1550 mm	4037 mm	6 / 8 °
	3500 mm	2387 mm	1650 mm	4237 mm	6 / 8 °
	3700 mm	2487 mm	1750 mm	4437 mm	6 / 8 °
	4000 mm	2637 mm	1900 mm	4737 mm	6 / 8 °
Triplex mast DZ	4400 mm	2087 mm	1350 mm	5137 mm	6 / 8 °
	4700 mm	2187 mm	1450 mm	5437 mm	6 / 5.5 °
	5000 mm	2287 mm	1550 mm	5737 mm	6 / 5.5 °
	5500 mm	2487 mm	1750 mm	6237 mm	6 / 5.5 °
	6000 mm	2687 mm	1950 mm	6737 mm	6 / 5.5 °
	6500 mm	2887 mm	2150 mm	7237 mm	6 / 3 °
	7000 mm	3087 mm	2350 mm	7737 mm	6 / 3 °
	7500 mm	3287 mm	2550 mm	8237 mm	6 / 3 °

VDI table

Stand-on: 11/2021

Characteristic	1.1	Manufacturer (abbreviated description)	Jungheinrich							
			EFG 425k	EFG 425	EFG 430k	EFG 430	EFG S30			
Characteristic	1.2	Manufacturer's type designation								
	1.3	Drive	Electric							
	1.4	Operation	Seat							
	1.5	Load capacity/load	Q	kg	2500		3000			
	1.6	Load centre distance	c	mm	500			600		
	1.8	Load distance, centre of drive axle to fork	x	mm	425		447			
	1.9	Wheelbase	y	mm	1575	1720	1575	1720		
	Weights	2.1.1	Service weight (incl. battery)		kg	4730	4640	5260	5080	5330
		2.2	Axle load laden front/rear		kg	6400 / 810	6550 / 570	7360 / 910	7450 / 630	7603 / 710
2.3		Axle load unladen front/rear		kg	2410 / 2300	2680 / 1940	2530 / 2730	2770 / 2310	2763 / 2550	
Wheels/suspension system	3.1	Tyres	Super-elastic (SE)							
	3.2	Tyre size, front	225 / 75-10		250 / 60-12		315 / 45-12			
	3.3	Tyre size, rear	180 / 70-8		200 / 50-10	180 / 70-8	200 / 50-10			
	3.5	Wheels, number front/back (x=driven)	2X / 2							
	3.6	Tread width, front	b ₁₀	mm	990	950		1000		
	3.7	Tread width, rear	b ₁₁	mm	940					
	Basic dimensions	4.2	Retracted mast height (h1)	h ₁	mm	2225		2222		
4.3		Free lift (h2)	h ₂	mm	150					
4.4		Lift (h3)	h ₃	mm	3100					
4.5		Extended mast height (h4)	h ₄	mm	3855		3857			
4.7		Height of overhead guard (cab)	h ₆	mm	2240					
4.8		Seat height/stand height	h ₇	mm	1190					
4.12		Coupling height	h ₁₀	mm	385					
4.12.1		2. Coupling height		mm	540					
4.19.4		Length including fork length	l ₁	mm	3446	3591	3467	3612		
4.20		Length including fork shank	l ₂	mm	2296	2441	2317	2462		
4.21.1		Overall width	b ₁	mm	1198			1300		
4.22		Fork dimensions	s/ e/l	mm	40 x 100 x 1150		45 x 125 x 1150			
4.23		Fork carriage connection class			2A		3A			
4.24		Fork carriage width	b ₃	mm	1120					
4.31		Ground clearance laden under mast	m ₁	mm	117					
4.32		Ground clearance centre of wheelbase	m ₂	mm	135					
4.34		Aisle width (pallet 1000x1200 sideways)	Ast	mm	3625	3775	3647	3797		
4.34.1		Aisle width (pallet 800x1200 length)	Ast	mm	3825	3975	3847	3997		
4.35		Turning radius	W _a	mm	2000	2150	2000	2150		
4.36	Smallest pivot point distance	b ₁₃	mm	600			650			
Performance data	5.1	Travel speed laden/unladen (Efficiency drivePLUS)		km/h	16 / 17 19 / 20					
	5.2	Lift speed laden/unladen (Efficiency liftPLUS)		m/s	0.43 / 0.55 0.48 / 0.6		0.4 / 0.55 0.43 / 0.6			
	5.3	Lowering speed laden/unladen (Efficiency liftPLUS)		m/s	0.58 / 0.58 0.58 / 0.58					

	5.5	Drawbar pull laden/unladen (Efficiency drivePLUS)	N	3600 / 4000 5100 / 5600	3500 / 3900 4900 / 5500	4500 / 5000 5000 / 5800		
	5.6	Max. drawbar pull laden/unladen (Efficiency drivePLUS)	N	12500 / 1300 16000 / 16300		14000 / 14500 15700 / 16000	14000 / 14500 15700 / 16000	14000 / 14500 15700 / 16000
	5.7	Gradeability laden/unladen (Efficiency drivePLUS)	%	8.5 / 14 10 / 16	7.5 / 13 10 / 16	7 / 12 9 / 15	7 / 13 9 / 15	7 / 12 8 / 14
	5.8	Max. gradeability laden/unladen (Efficiency drivePLUS)	%	17 / 25 19 / 27		15 / 23 17 / 25	15 / 23 18 / 26	15 / 23 17 / 25
	5.9	Acceleration time laden/unladen (Efficiency drivePLUS)	s	5 / 4.5 4.5 / 4				
	5.10	Service brake		Mechanical				
E-motor/Electronics	6.1	Drive motor, performance S2 60 min (Efficiency drivePLUS)	kW	12 15				
	6.2	Lift motor, performance with S3 (Efficiency liftPLUS)	kW	18.5 22				
	6.3	Battery according to DIN 43531/35/36		DIN 43536 A				
	6.4	Battery voltage/nominal capacity	V / Ah	80 / 620	80 / 775	80 / 620	80 / 775	
	6.5	Battery weight	kg	1540	1863	1540	1863	
	6.6.1	Energy consumption according to EN cycle	kWh/h	6		6.9		7.8
	6.6.2	CO2 equivalent as per EN 16796	kg/h	3.2		3.7		4.2
	6.7	Throughput (Efficiency PLUS)	t/h	186 196		211.5 225		207 220.5
	6.8.1	Energy consumption with max. throughput (Efficiency PLUS)	kWh/h	7 7.9		7.2 8.6		8.1 9.5
Other	8.1	Type of drive control		Impulse/AC				
	10.1	Operating pressure for attachment	bar	200				
	10.2	Oil flow for attachments	l/min	30				
	10.7	Sound level as per EN12053, operator's ear	dB (A)	70				
	10.8	Trailer coupling, model/type DIN		DIN 15170 H				

- This data sheet according to VDI guideline 2198 only states the technical values of the standard truck. Different tyres, other masts, additional equipment etc. may result in different values.

Efficiency: Werte Standardpaket | PLUS: Werte Leistungspaket

- VDI no. 1.8: with EFG 425 + 10 mm for DZ mast

- VDI no. 6.6.1: 60 EN cycles/h

- VDI no. 6.7: PLUS refers to the drive&liftPLUS performance package

- VDI no. 6.8.1: PLUS refers to the drive&liftPLUS performance package

The German production facilities in
Norderstedt, Moosburg and Landsberg
are certified.

ISO 9001
ISO 14001

Jungheinrich fork lift trucks meet
European safety requirements.



 **JUNGHEINRICH**

The Jungheinrich logo, featuring a red upward-pointing arrow above the word 'JUNGHEINRICH' in a bold, black, sans-serif font.