

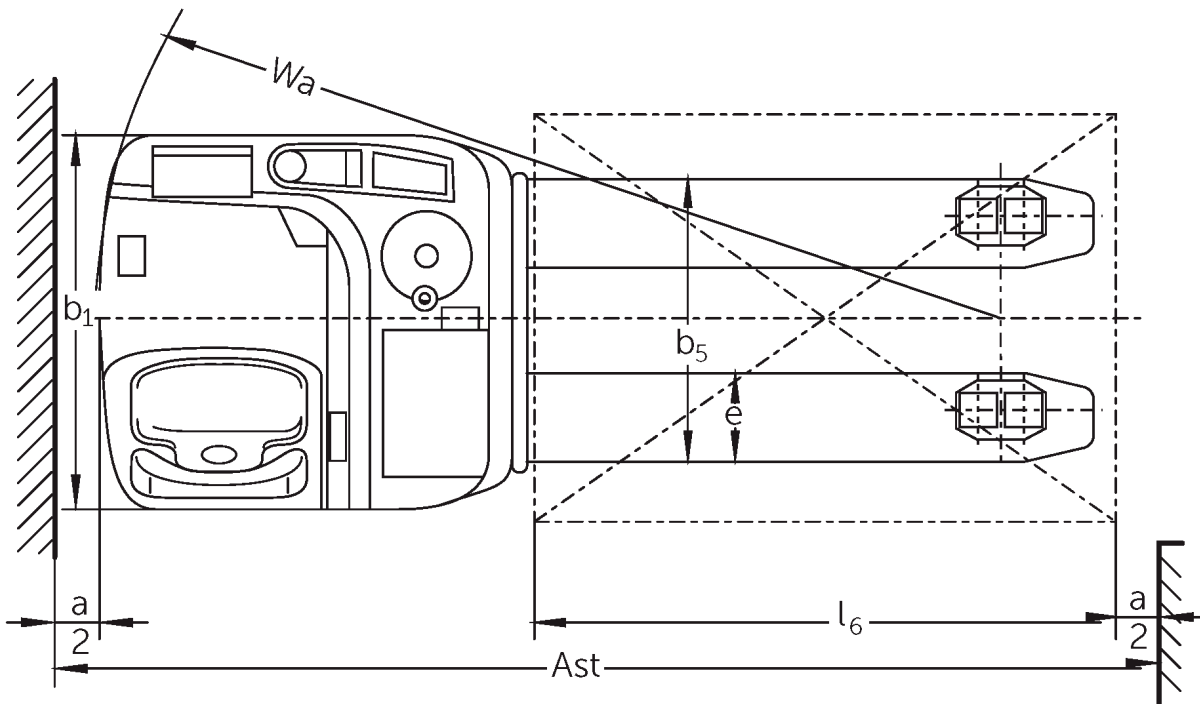
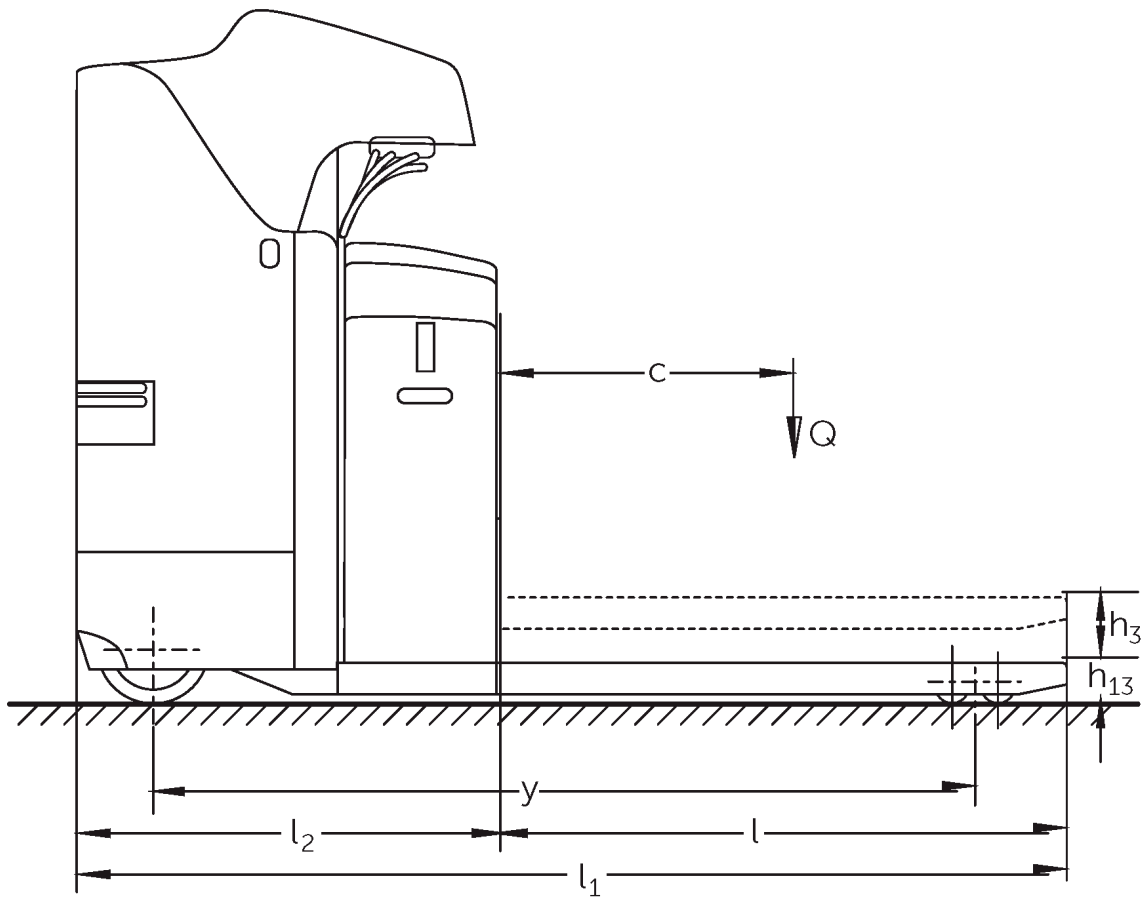


Electric stand-on/sideways-seated pallet truck

ESE 120

Lift height: 125 mm / Load capacity: 2000 kg

ESE 120



VDI table

Stand-on: 11/2021

Characteristic	1.1	Manufacturer (abbreviated description)		Jungheinrich	
	1.2	Manufacturer's type designation		ESE 120	
	1.3	Drive		Electric	
	1.4	Operation		Stand-on	
	1.5	Load capacity/load	Q	kg	2000
	1.6	Load centre distance	c	mm	600
	1.8	Load distance, centre of drive axle to fork	x	mm	964
	1.9	Wheelbase	y	mm	1595
	Weights	2.1.1	Service weight (incl. battery)		kg
2.2		Axle load laden front/rear		kg	1840 / 1017
2.3		Axle load unladen front/rear		kg	215 / 642
Wheels/suspension system	3.1	Tyres			Polyurethane (PU)
	3.2	Tyre size, front			Ø 230 x 77
	3.3	Tyre size, rear			Ø 85x85
	3.4	Additional wheels			Ø 140 x 57
	3.5	Wheels, number front/back (x=driven)			2 - 1x / 4
	3.6	Tread width, front	b ₁₀	mm	485
	3.7	Tread width, rear	b ₁₁	mm	370
Basic dimensions	4.4	Lift (h ₃)	h ₃	mm	125
	4.15	Height, lowered	h ₁₃	mm	90
	4.19	Overall length	l ₁	mm	2024
	4.20	Length including fork shank	l ₂	mm	874
	4.21.1	Overall width	b ₁	mm	760
	4.22	Fork dimensions	s/e/l	mm	55 x 170 x 1150
	4.25	Width across forks	b ₅	mm	540
	4.32	Ground clearance centre of wheelbase	m ₂	mm	30
	4.34.1	Aisle width (pallet 800x1200 length)	Ast	mm	2274
	4.35	Turning radius	W _a	mm	1838
Performance data	5.1	Travel speed laden/unladen		km/h	10 / 12.5
	5.2	Lift speed laden/unladen		m/s	0.04 / 0.05
	5.3	Lowering speed laden/unladen		m/s	0.07 / 0.05
	5.8	Max. gradeability laden/unladen		%	6 / 12
	5.10	Service brake			generative
E-motor/Electronics	6.1	Drive motor, performance S2 60 min		kW	2.8
	6.2	Lift motor, performance with S3		kW	2
	6.3	Battery according to DIN 43531/35/36			B
	6.4	Battery voltage/nominal capacity		V / Ah	24 / 375
	6.5	Battery weight		kg	297
	6.6.1	Energy consumption according to EN cycle		kWh/h	0.35
	6.6.2	CO2 equivalent as per EN 16796		kg/h	0.2
Other	8.1	Type of drive control			AC

- This data sheet according to VDI guideline 2198 only states the technical values of the standard truck. Different tyres, other masts, additional equipment etc. may result in different values.

The German production facilities in
Norderstedt, Moosburg and Landsberg
are certified.

ISO 9001
ISO 14001

Jungheinrich fork lift trucks meet
European safety requirements.



 **JUNGHEINRICH**